



ICRA '07 Space Robotics Workshop

Lessons Learned on the AWIMR Project

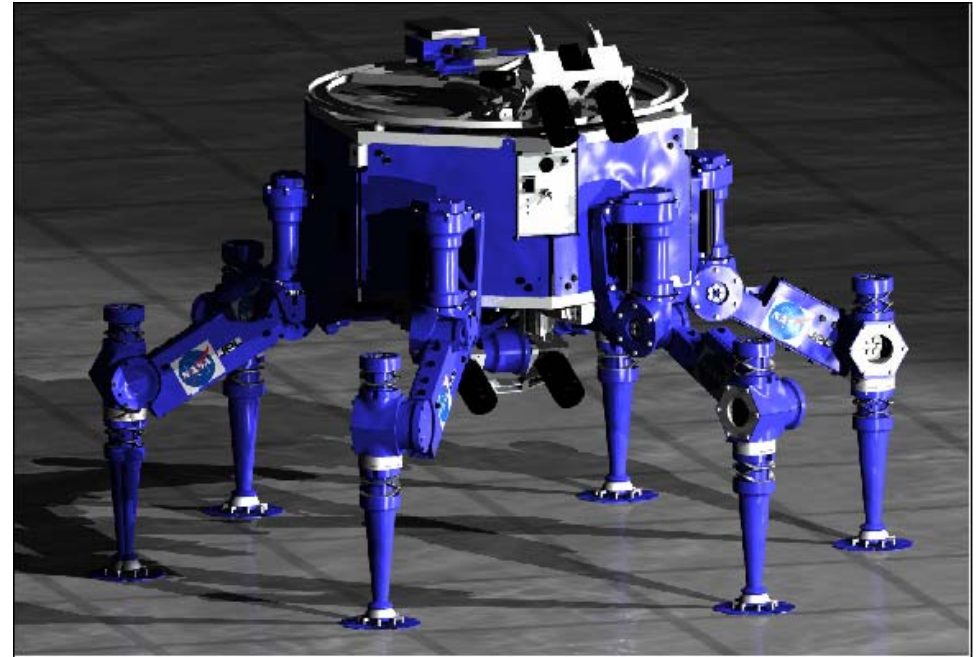
**Rick Wagner and Hobson Lane
Northrop Grumman Corporation
April 14, 2007**

Contents

- **Introduction**
- **Related Work**
- **Prototype AWIMR Description**
- **Lessons Learned**
 - **Task and Algorithm Iteration**
 - **Walking Locomotion**
 - **Sticky Foot**
 - **Navigation**
 - **Docking Force**
 - **Power Management**
 - **Business**
- **Conclusion**

Introduction

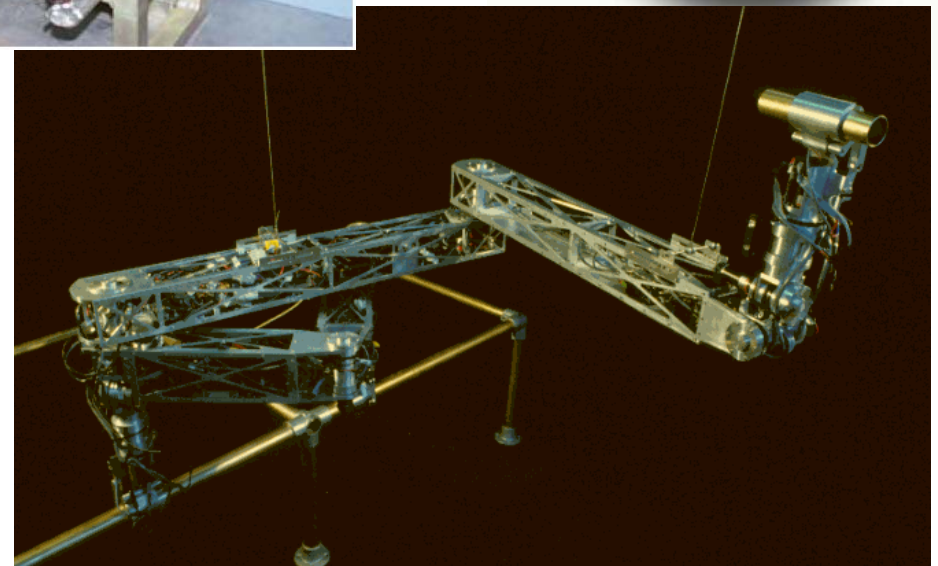
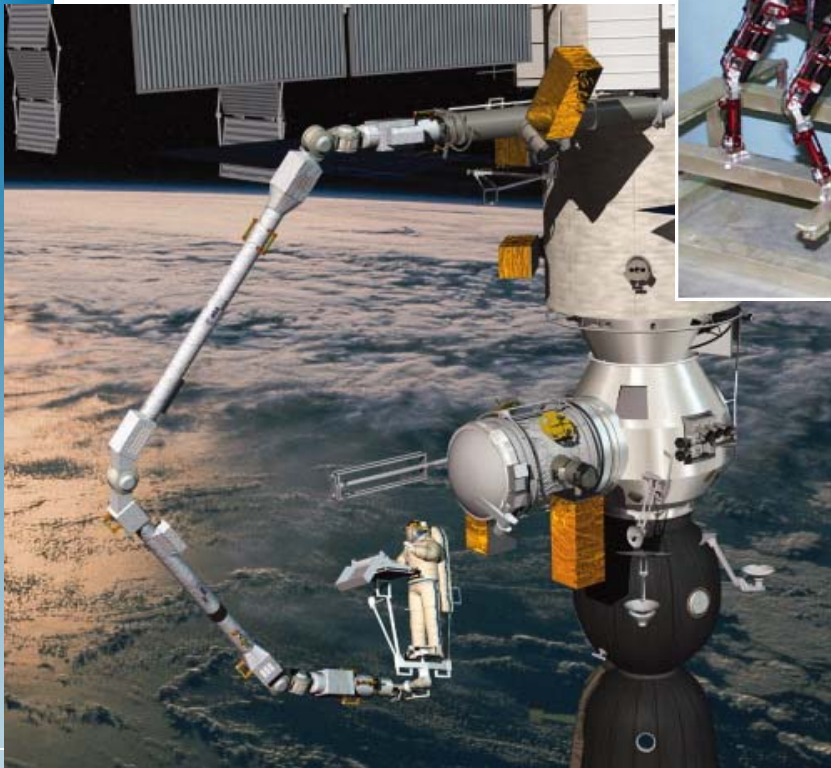
- **Goal: reduce astronaut EVA time**
 - Leads to a substantial reduction in mass for suits, spares, and consumables
- **Solution: a walking robot to patrol the exterior of the space vehicle inspecting for micrometeorite and other damage**
 - Also perform minor repairs and
 - Assist astronauts on EVA



- **AWIMR project began in January 2005**
- **Two patents filed as a result of the research**
- **Funding constraints cut the project short in November 2005**

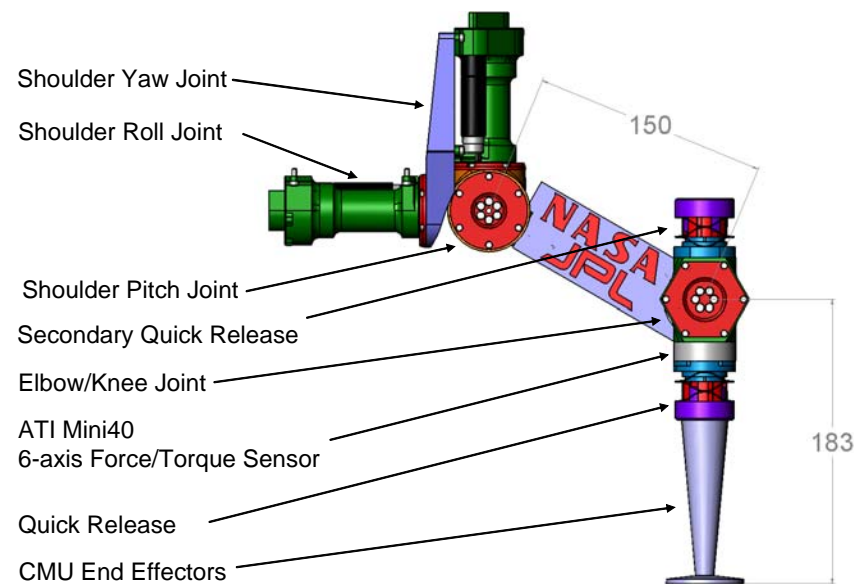
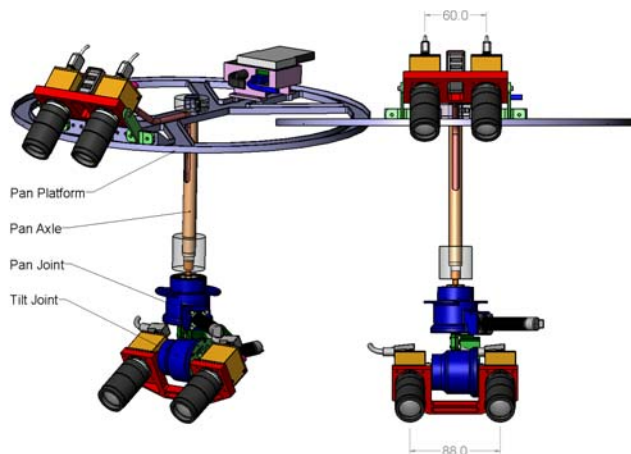
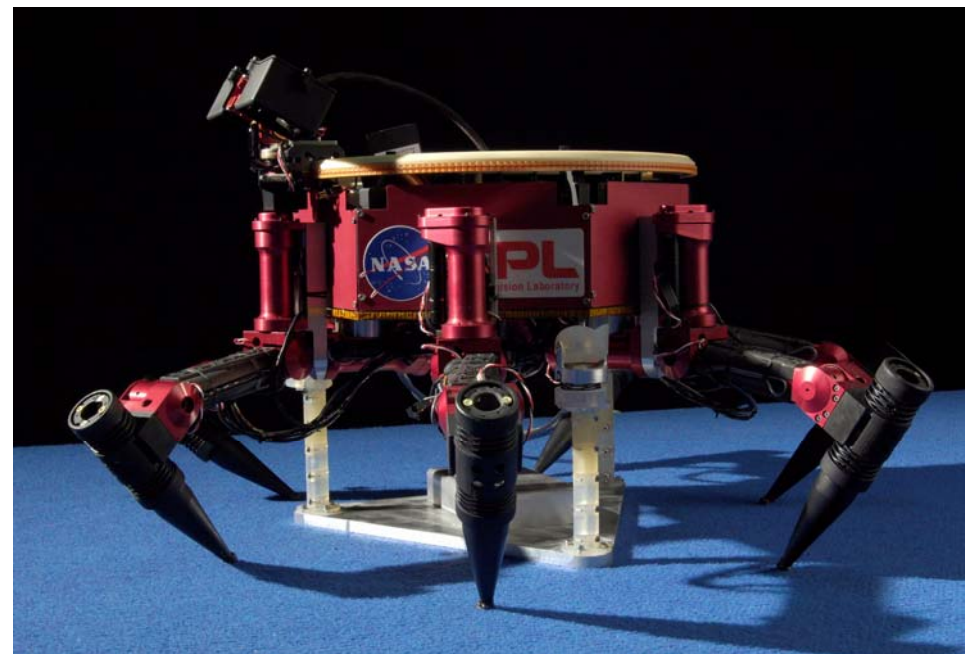
Related Work

- JSC's Robonaut
- JPL's LEMUR I and LEMUR II
- CMU's Skyworker
- European Robot Arm for ISS
- JSC's mini AERcam



Prototype AWIMR

- AWIMR tasks:
 - Inspection for damage: patrol or directed modes, leak location
 - Simple repair work: re-attach insulation, bond cracks, tighten screws
 - Astronaut assistance
- Phase I prototype AWIMR based on JPL's LEMUR II
- Hexagonal equipment compartment, six legs, sticky feet, and two pairs of stereo cameras

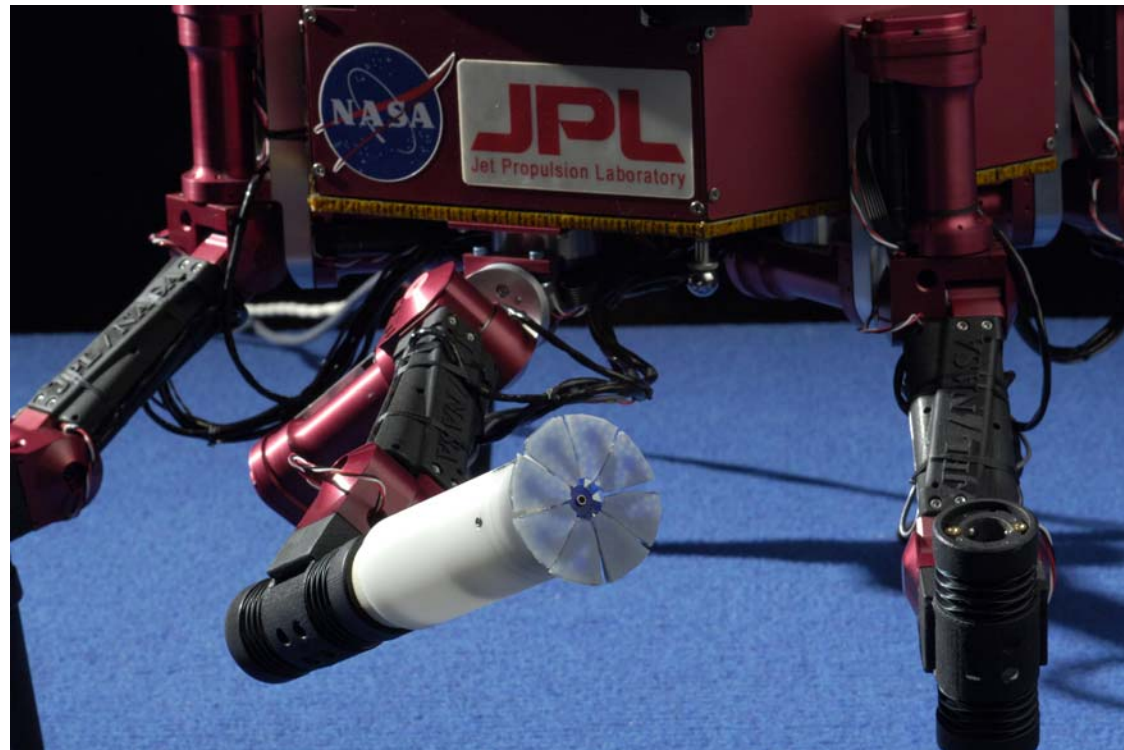


Lessons Learned: Task and Algorithm Iteration

- **Task trade study**
 - Perform a trade study to determine space robot task set
 - Consider tasks within a system context
 - Assign a benefit for each task
 - Task set drives algorithm conceptual design which drives hardware design
 - Hardware design determines mass, power, reliability, and complexity costs: iterate for optimal task set
- **Design the robot for the optimal task set**
 - Example: a robot that can do all repairs may cost too much in mass and complexity
 - Use task set scenarios (CONOPS) to find out needed capabilities and control requirements early
 - Example: speed of locomotion may be very important; how fast should the robot be? (this is a real driver on costs)

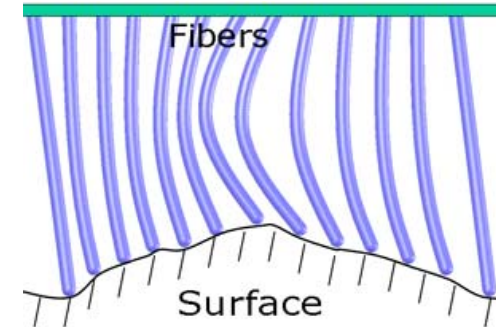
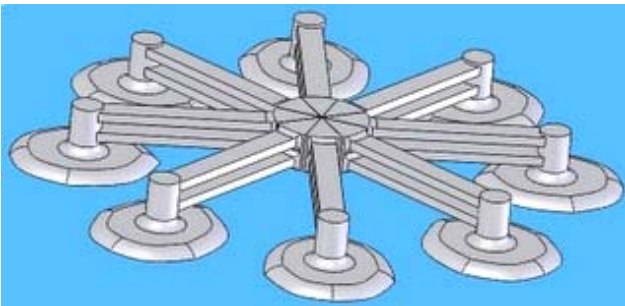
Lessons Learned: Walking Locomotion

- **Primary requirement: maintain a positive grip on the spacecraft!**
 - Astronauts sometimes use tethers; not practical for robots
- **Mechanical grippers add considerable complexity**
 - Additional degrees of joint control
 - Must have something to grab at all locations
- **Electrostatic and “sticky foot” grippers have their own drawbacks**



Lessons Learned: Sticky Foot

- **Ripple gait**
 - A single foot is moved at a time
- **Tripod gait**
- **Pairwise opposed gait**



- **Can walk on any clean surface**
- **Requires pull-off force**
- **Must avoid fragile surfaces**
 - Insulation blankets, solar cells, antenna mesh, etc.

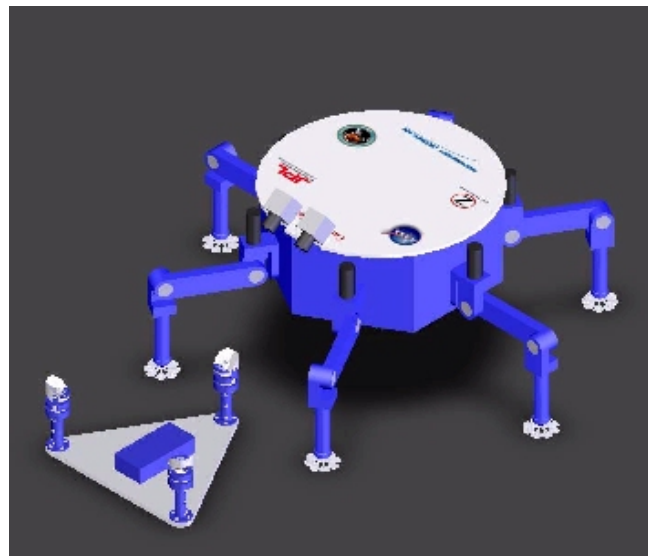
Inspired by the gecko's micro-fiber sticky foot, polymers such as polydimethylsiloxane provide repeatable sticky force greater than preloading force. We found that sticky feet require attention to the zero-g gait.

Lessons Learned: Navigation

- **Routine patrol or directed movement requires re-registration at some distance from charging station**
 - Machine vision for navigation adds complexity
 - Bar (block or dot pattern) codes on space vehicle can help
- **Obstacle avoidance is essential**
- **Teleoperated mode requires a high level user interface**
 - Need (joystick) commands like “go forward” and “turn right,” not “move this leg” or “move that leg joint.”
 - Teleoperated modes are essential in early testing, so think about this interface early in the program

Lessons Learned: Docking Force

- **Sticky feet (in pull direction) may not have enough force margin for docking**
 - Sticky feet in shear have more force capability
- **Consider pull-in capability for the docking interface**
 - Screw drive, toggle, or other latching mechanism
- **Force feedback control could be an enabler here**



Lessons Learned: Power Management

- **Dynamic gaits and control for higher speed locomotion will consume more power**
- **Faster inspection means more bandwidth for data which means more power for RF transmission**
- **Battery size is a major mass contributor**
- **Duty cycle might be improved by using a battery drop-off strategy for recharging**
- **Consider a need for power margin for contingency operations**

Lessons Learned: Business

- **AWIMR: a partnership among business, government, and academic institutions**
- **NGST, as prime, has significant experience managing subcontracts**
 - **The unusual mix of partners requires special attention to communication and managing expectations**
 - **The prime needs to understand cultural differences across institutional lines**
 - **Get agreement early about how information handoffs are managed**

Conclusion

- **The feasibility of a robot to walk on the exterior of an exploring space vehicle was established**
 - **Inspection**
 - **Repair**
 - **Astronaut assistance**
- **The reduced EVA time is a potential enabler for long duration human exploration spaceflight**
- **The lessons documented here will assist the inevitable follow-on project**